

VXR 系列 SERIES

基板自立型105℃、7000小时品
105℃ 7000 hours, Snap-in Terminal Type.

◆特 长 / FEATURES

- 105℃、7000小时品。
Load Life : 105℃ 7000 hours.
- RoHS指令对应品。
RoHS compliance.



◆规格表 / SPECIFICATIONS

项 目 Items	特 性 Characteristics		
工作温度范围 Category Temperature Range	-25 ~ +105℃		
额定电压范围 Rated Voltage Range	160 ~ 450V.DC		
静电容量允许差 Capacitance Tolerance	±20% (20℃, 120Hz)		
漏 电 流 Leakage Current(MAX)	$I = 3\sqrt{CV}$ (施加额定电压5分钟后) $I = 3\sqrt{CV}$ (After 5 minutes application of rated voltage) I = 漏电流 (µA) C = 额定静电容量 (µF) V = 额定电压 (V) Leakage Current Rated Capacitance Rated Voltage		
损失角正切值 (tan δ) Dissipation Factor(MAX)	额定电压 (V) Rated Voltage	160 ~ 250	315 ~ 450
	tan δ	0.15	0.20
阻 抗 比 Impedance Ratio(MAX)	额定电压 (V) Rated Voltage	160 ~ 250	315 ~ 450
	Z(-25℃)/Z(20℃)	3	8
耐 久 性 Endurance	在105℃环境中，不超过额定电压的范围内叠加额定纹波电流，连续加载7000小时后，满足以下各项要求。 After applying rated voltage with rated ripple current for 7000hrs at 105℃, the capacitors shall meet the following requirements.		
	静电容量变化率 Capacitance Change	初期值的±20%以内 Within ±20% of the initial value.	
	损失角正切值 Dissipation Factor	规格值的200%以下 Not more than 200% of the specified value.	
	漏 电 流 Leakage Current	规格值以下 Not more than the specified value.	

◆纹波电流修正系数 / MULTIPLIER FOR RIPPLE CURRENT

频率系数 Frequency coefficient

频率 (Hz) Frequency	60(50)	120	500	1k	10k≤	
系数 Coefficient	160~250WV	0.80	1.00	1.20	1.30	1.50
	315~450WV	0.80	1.00	1.20	1.25	1.40

◆产品型号体系 / PART NUMBER

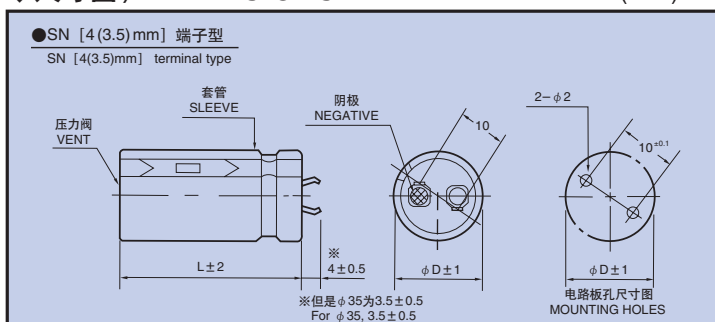
□□□	VXR	□□□□□	□	□□□	SN	D×L
额定电压 Rated Voltage	系列名称 Series	额定静电容量 Rated Capacitance	静电容量允许差 Capacitance Tolerance	副记号 Option	端子记号 Terminal Code	铝壳尺寸 Case Size

◆副记号 / OPTION

	记号 Code
PET套管, 无底板 PET Sleeve without plate	EFC
PVC套管, 无底板 PVC Sleeve without plate	OOE
PVC套管, 有底板 PVC Sleeve with plate	无 Blank

◆尺寸图 / DIMENSIONS

(mm)



◆标准品一览表/STANDARD SIZE

Cap (μF)	WV φD	160				180			
		φ 22	φ 25	φ 30	φ 35	φ 22	φ 25	φ 30	φ 35
220						22×25: 1.00			
270	22×25: 1.10					22×25: 1.10			
330	22×25: 1.20					22×30: 1.20	25×25: 1.20		
390	22×30: 1.30	25×25: 1.30				22×30: 1.30	25×25: 1.30		
470	22×35: 1.40	25×30: 1.40				22×35: 1.40	25×30: 1.40	30×25: 1.40	
560	22×40: 1.50	25×30: 1.50	30×25: 1.50			22×40: 1.50	25×35: 1.50	30×25: 1.50	
680	22×45: 1.70	25×35: 1.70	30×30: 1.70			22×45: 1.70	25×35: 1.70	30×30: 1.70	
820	22×50: 2.00	25×40: 2.00	30×30: 2.00				25×40: 2.00	30×35: 2.00	35×30: 2.00
1000		25×45: 2.20	30×35: 2.20	35×30: 2.20			25×50: 2.20	30×35: 2.20	35×30: 2.20
1200		25×50: 2.30	30×40: 2.30	35×35: 2.30				30×40: 2.30	35×35: 2.30
1500			30×45: 2.50	35×35: 2.50				30×50: 2.50	35×40: 2.50
1800			30×50: 2.70	35×40: 2.70					35×45: 2.70
2200				35×45: 2.90					35×50: 2.90

Cap (μF)	WV φD	200				250			
		φ 22	φ 25	φ 30	φ 35	φ 22	φ 25	φ 30	φ 35
180						22×25: 0.90	25×25: 0.90		
220	22×25: 1.00					22×30: 1.00	25×25: 1.00		
270	22×30: 1.10	25×25: 1.10				22×35: 1.10	25×30: 1.10	30×25: 1.10	
330	22×30: 1.20	25×25: 1.20				22×40: 1.20	25×30: 1.20	30×25: 1.20	
390	22×35: 1.30	25×30: 1.30	30×25: 1.30			22×45: 1.30	25×35: 1.30	30×30: 1.30	
470	22×40: 1.40	25×35: 1.40	30×25: 1.40			22×50: 1.40	25×40: 1.40	30×30: 1.40	35×30: 1.40
560	22×45: 1.50	25×35: 1.50	30×30: 1.50				25×45: 1.50	30×35: 1.50	35×30: 1.50
680	22×50: 1.70	25×40: 1.70	30×30: 1.70				25×50: 1.70	30×40: 1.70	35×35: 1.70
820		25×45: 2.00	30×35: 2.00	35×30: 2.00				30×45: 2.00	35×35: 2.00
1000			30×40: 2.20	35×35: 2.20				30×50: 2.20	35×40: 2.20
1200			30×45: 2.30	35×40: 2.30					35×45: 2.30
1500				35×50: 2.50					

Cap (μF)	WV φD	315				350			
		φ 22	φ 25	φ 30	φ 35	φ 22	φ 25	φ 30	φ 35
82	22×25: 0.64					22×25: 0.64			
100	22×30: 0.69					22×30: 0.69	25×25: 0.69		
120	22×30: 0.75	25×25: 0.75				22×35: 0.75	25×30: 0.75		
150	22×35: 0.82	25×30: 0.82	30×25: 0.82			22×40: 0.82	25×30: 0.82	30×25: 0.82	
180	22×40: 0.90	25×30: 0.90	30×25: 0.90			22×45: 0.90	25×35: 0.90	30×30: 0.90	
220	22×45: 1.00	25×35: 1.00	30×30: 1.00			22×50: 1.00	25×40: 1.00	30×30: 1.00	
270		25×40: 1.10	30×35: 1.10	35×30: 1.10			25×45: 1.10	30×35: 1.10	35×30: 1.10
330		25×50: 1.20	30×40: 1.20	35×30: 1.20				30×40: 1.20	35×35: 1.20
390			30×40: 1.30	35×35: 1.30				30×45: 1.30	35×35: 1.30
470			30×45: 1.40	35×40: 1.40				30×50: 1.40	35×40: 1.40
560				35×45: 1.50					35×50: 1.50
680				35×50: 1.70					

Cap (μF)	WV φD	400				450			
		φ 22	φ 25	φ 30	φ 35	φ 22	φ 25	φ 30	φ 35
39						22×25: 0.37			
47						22×30: 0.40			
56	22×25: 0.51					22×35: 0.47	25×25: 0.47		
68	22×30: 0.56	25×25: 0.56				22×40: 0.53	25×30: 0.53		
82	22×30: 0.64	25×25: 0.64				22×45: 0.56	25×35: 0.56	30×25: 0.56	
100	22×35: 0.69	25×30: 0.69				22×50: 0.64	25×40: 0.64	30×30: 0.64	
120	22×40: 0.75	25×30: 0.75	30×25: 0.75				25×45: 0.72	30×30: 0.72	
150	22×45: 0.82	25×35: 0.82	30×30: 0.82				25×50: 0.79	30×40: 0.79	35×30: 0.79
180	22×50: 0.90	25×40: 0.90	30×30: 0.90	35×25: 0.90				30×45: 0.87	35×35: 0.87
220		25×45: 1.00	30×35: 1.00	35×30: 1.00				30×50: 1.00	35×40: 1.00
270			30×40: 1.10	35×35: 1.10					35×45: 1.19
330			30×45: 1.20	35×40: 1.20					35×50: 1.38
390				35×45: 1.30					
470				35×50: 1.40					

铝壳尺寸 Case Size φ D×L(mm) ↑

↑ 纹波电流 Ripple Current (A r.m.s./120Hz, 105°C)